

# BDR-24-27 Series



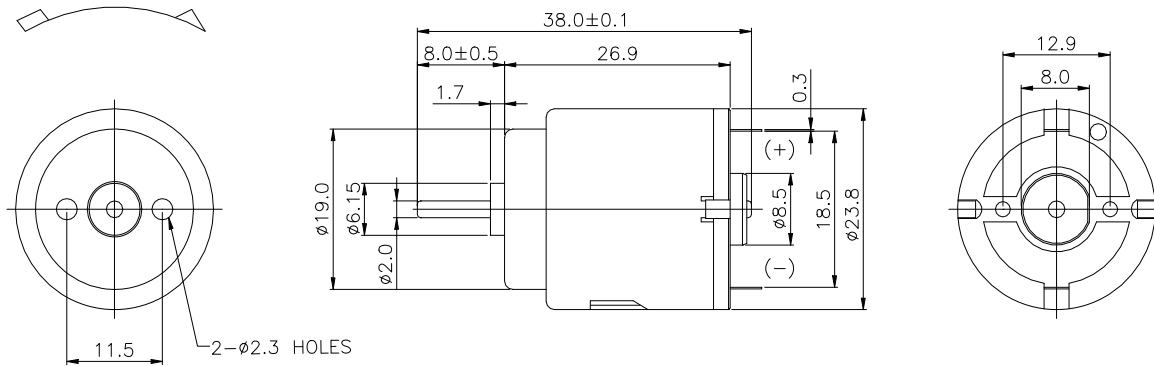
- DC Brush Motor
- Designed for high volume applications
- Up to 170 g-cm of Torque
- 24 mm diameter

## Specifications

Model Number	Voltage		No Load		At Maximum Efficiency					Stall Torque (g-cm)
	Operating Range (Volts DC)	Nominal (Volts DC)	Speed (RPM)	Current (Amps)	Speed (RPM)	Current (Amps)	Torque (g-cm)	Output (Watts)	Eff. (%)	
BDR-24-27-12.0V-7200	1.5 – 12	12.0	7200	0.04	5140	0.10	10.0	0.53	43.9	37
BDR-24-27-3.0V-9600	1.5 – 12	3.0	9600	0.13	7600	0.50	12.0	0.94	62.4	57
BDR-24-27-4.5V-10100	3.0 – 6.0	4.5	10100	0.15	8600	0.70	20.0	1.76	56.0	136
BDR-24-27-4.5V-13800	3.0 – 4.5	4.5	13800	0.25	11700	1.10	25.0	3.00	61.0	170

DIRECTION OF ROTATION

UNIT: MILLIMETERS



WEIGHT:28g(APPROX)

